

CHAMBER EXECUTIVE

2018 ADVERTISING RATES AND SPECIFICATIONS

Reach 7,500 influencers connected to 1.2 million businesses.

Chamber Executive is a quarterly magazine written exclusively for ACCE's 1,300 member chambers of commerce. Collectively, these chambers represent 1.2 million members—businesses large and small from across the U.S. For many advertisers, reaching out to businesses and communities via chambers of commerce is a highly effective marketing strategy.

More than 7,500 readers of *Chamber Executive* play a vital role in supporting businesses, advancing education and workforce development, and fostering tourism and infrastructure improvement.

Readers rely on *Chamber Executive's* award-winning* coverage of best practices in:

- Economic development
- Fundraising
- Government relations
- Membership recruitment and retention
- Business trends and demographics
- Workforce improvement
- Chamber management

Cited for general excellence in a national competition*, the magazine provides an outstanding editorial environment for your targeted message to leaders of businesses and communities.

**APEX Awards for Communications Excellence*

Circulation: 7,500

Advertising Deadlines: 2018

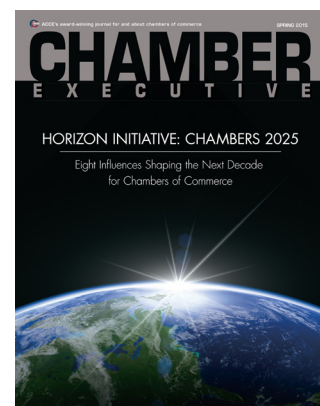
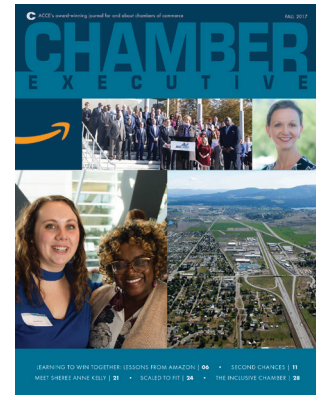
Spring 2018 – February 16, 2018

Summer 2018 – May 18, 2018

Fall 2018 – August 17, 2018

Winter 2018/2019 – November 16, 2018

Publications are delivered approximately six weeks after advertising deadline.



CHAMBER EXECUTIVE

Contact Information

Company

Agency/Ad Contact

Contact Name

Contact Name

Address

Address

City, State, Zip

City, State, Zip

Phone

Phone

Fax

Fax

Email

Email

Ad Information

Ads are four color.

Frequency:

1x 3x 4x

Ad Contact:

Tenja Young: 703-998-3534

Fax Signed Contracts:

Attn: Tenja Young: 888-577-9883

Send Ad:

Tenja Young: tyoung@acce.org or
call 703-998-3534 for instructions for
ads larger than 5MB.

Ad Rates

Rates are per insertion.

Ad Size

Frequency

1x

3x

4x

Full page	8.5"x11"	\$2,095	\$1,995	\$1,895
1/2 page horizontal	7.5" x 5"	\$1,395	\$1,295	\$1,195
1/4 page horizontal	7.5" x 2.25	\$995	\$895	\$795
1/4 page vertical	3.5" x 5"	\$995	\$895	\$795
Business Card	3.5" x 2"	\$495	\$475	\$425

Issue(s): Spring 2018 Summer 2018 Fall 2018 Winter 2018

Size:

Full Page 1/2 Page Business Card 1/4 Page Horizontal
 1/4 Page Vertical

Bill to:

Advertiser
 Agency

Special Instructions*:

*Preferred placement options are available: \$1,000 for the inside front cover and \$1,500 for the back cover, per issue. Alternatively, you can opt for preferred placement (e.g. near a certain article) at a 15% premium, per issue.

CHAMBER EXECUTIVE

2017 Advertising Rates and Specifications

Ad Format:

- Ads must be high-resolution PDFs (300 dpi) in CMYK color format
- All fonts and images must be embedded
- Bleeds (for full-page ads) must be opened .125" on all four sides
- Email your ad (5 MB or less) on or before the advertising deadline to Tenja Young at tyoung@acce.org; call 703-998-3534 for drop box instructions for ads larger than 5 MB.

Terms and Conditions:

1. The publisher reserves the right to refuse advertising.
2. Advertisers and advertising agencies assume liability for all content of advertisement printed, and also assume responsibility for any resulting claims made against the publisher.
3. Advertisers and advertising agencies are jointly and severally responsible for payment for all insertions.
4. Cancellations are not accepted and copy corrections not guaranteed after closing date (1st day of the month prior to publication.)
5. On contract or scheduled insertions, previous copy will be repeated if change is not received by closing date.
6. Publisher is not responsible for the quality of artwork.
7. Requested positions are not guaranteed unless stated as a paid position.
8. Advertiser will receive one checking copy of its ad with the invoice. Additional copies will be sent on request.
9. Inside covers will be accepted as full-page, four color only.
10. All rates are based on submission of industry standard electronic PDF files. Any production work will be billed at \$75 per hour.
11. No agency discounts.
12. Payment is due within 30 days of invoice date. If payment is not received within 30 days, publisher reserves the right to refuse advertising in subsequent issues.

To the best of my knowledge, all of the information provided is accurate. I have read, understood and accepted all terms and conditions concerning advertising in Chamber Executive.

Advertiser/Agency Representative

Date: _____

Name: _____

Signature: _____

ACCE Staff Representative

Date: _____

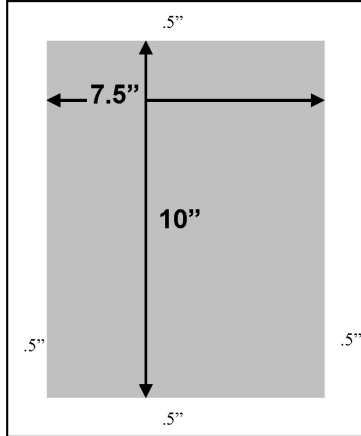
Name: _____

Signature: _____

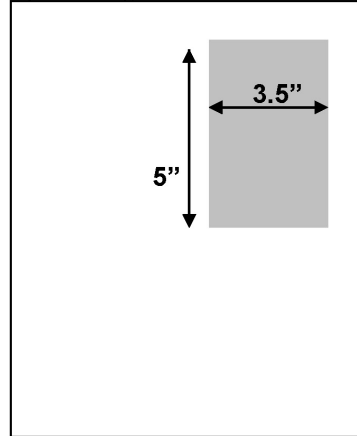
CHAMBER EXECUTIVE

2017 Advertising Rates and Specifications

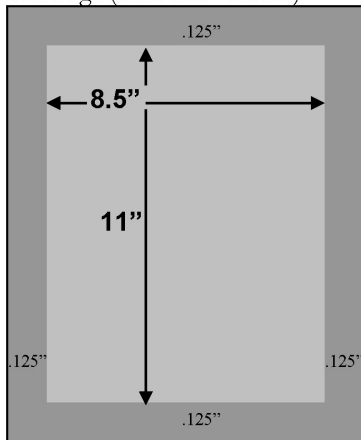
Full Page (no bleeds)



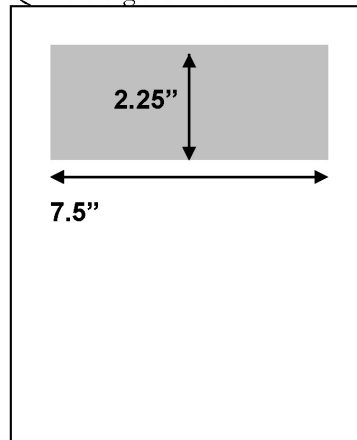
Quarter Page Vertical



Full Page (with .125" bleeds)

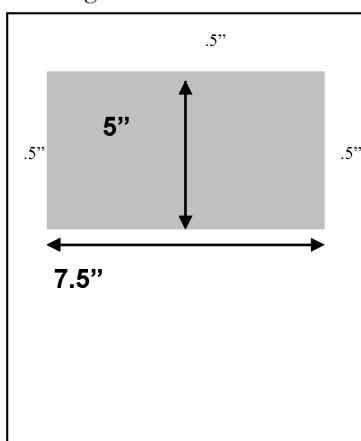


Quarter Page Horizontal



Keep live
matter within
8" and 10.5"

Half Page Horizontal



Business card (1/8 page size)

